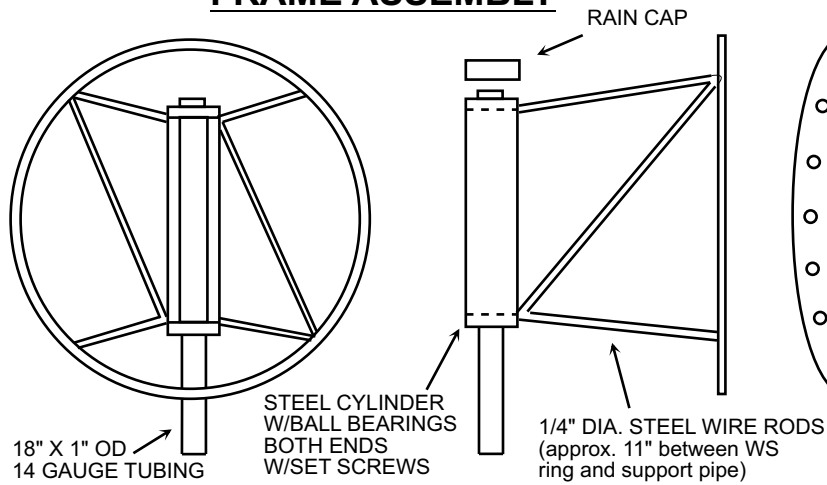
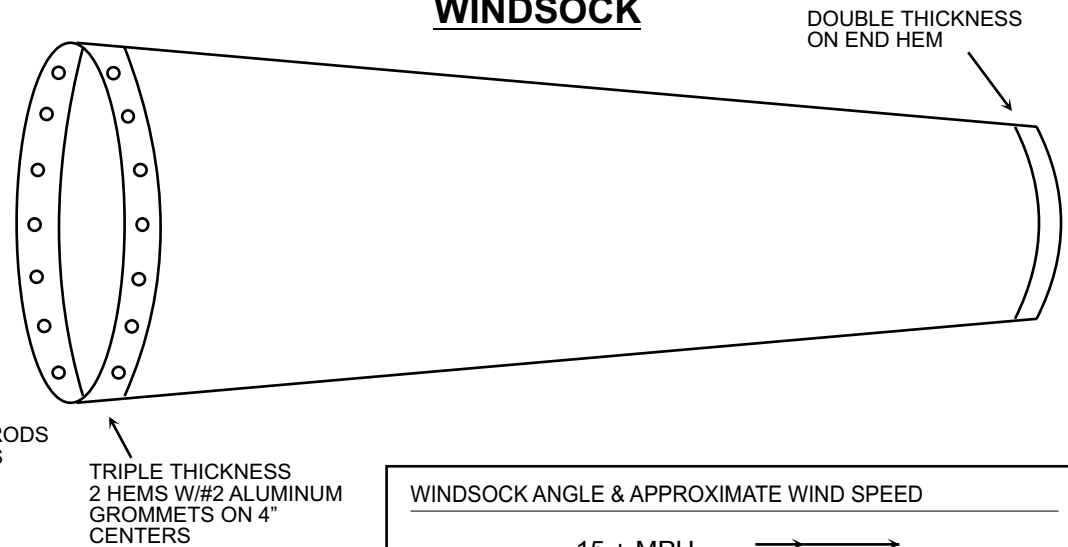


FRAME ASSEMBLY



WINDSOCK

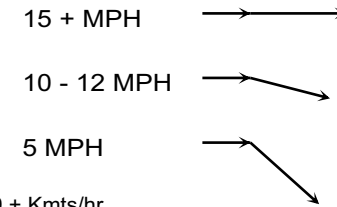


FRAME INSTALLATION (36" tubing supplied with C724, C736 frames)

1. USING 18" x 1" OD TUBING SUPPLIED AS TEMPLATE DRILL TWO (2) 1/4" HOLES THROUGH 1" SCH 40 GALVANIZED PIPE SUPPLIED "BY OTHERS". (RECOMMENDED 1" PIPE LENGTH 12 - 16 FEET LONG)
2. INSTALL PIPE AS SHOWN ON DRAWING AT RIGHT. INSERT TUBING THROUGH BALL BEARING ASSEMBLY, TIGHTEN ALLEN SCREWS AND INSTALL RAIN CAP. INSTALL WINDSOCK TO FRAME AND SECURE WINDSOCK PIPE/POLE TO BUILDING.
3. INSTALL WINDSOCK IN FREE AIR SPACE NOT NEAR FANS, STACKS OR OTHER LOCATIONS WHICH WILL RESULT IN POOR WIND READINGS.



WINDSOCK ANGLE & APPROXIMATE WIND SPEED



Miles/hr X 1.609 + Kmets/hr

NOTES

- (a) IO = INTERNATIONAL ORANGE - NYLON
FC = FLUORESCENT DELUXE (Rocket Red Vinyl Coated Nylon)
WN = WHITE NYLON
- (b) Letters & designs printed on windsocks - consult BDS Systems
- (c) Self-locking weather-resistant nylon black ties only supplied when windsock & frame are ordered together on one (1) order.
- (d) Manufactured by Chalfant Sewing Fabricators Inc./ BDS Systems Inc.
- (e) Windsocks are FAA approved
- (f) All pricing in U.S. dollars. Shipping FOB Doylestown, PA USA
- (g) Order frame and/or windsock by part number/s
- (h) Frame (all welded steel cylinder and wire rods) painted black
- (i) Int'l Orange (nylon) windsocks are recommended for lighted frames
- (j) Inches X 2.540 = cm Feet X 0.3048 = mts

NO SCALE

FRAME

PART NO.	PRICE
C718	130.00
C718	130.00
C724	145.00
C736	155.00
C736	155.00

WINDSOCK

MOUTH (IN)	BODY (LENGTH)	TAIL (OUT)	MATERIALS	PART NO.	PRICE
18"	5' 0"	8"	INT'L ORANGE FLUOR. DLX.	C421IO	125.00
			WHITE NYLON	C421WN	130.00
				C421FC	130.00
18"	8' 0"	8"	INT'L ORANGE FLUOR. DLX.	C422IO	135.00
			WHITE NYLON	C422WN	140.00
				C422FC	140.00
24"	8' 0"	12"	INT'L ORANGE FLUOR. DLX.	C423IO	145.00
			WHITE NYLON	C423WN	150.00
				C423FC	150.00
36"	10' 0"	12"	INT'L ORANGE FLUOR. DLX.	C425IO	160.00
			WHITE NYLON	C425WN	165.00
				C425FC	165.00
36"	12' 0"	12"	INT'L ORANGE FLUOR. DLX.	C427IO	170.00
			WHITE NYLON	C427WN	175.00
				C427FC	175.00

Pricing and specifications subject to change without notice

BDS SYSTEMS INC.

756 SANDY RIDGE ROAD • DOYLESTOWN, PA 18901

DRAWN KLB	DATE 8/29/96	WINDSOCKS "LACE ON TYPE"	
APPD RBB	DATE 9/1/08	WINDS3.dsf	REV J

215-345-0436, FAX 215-345-7481